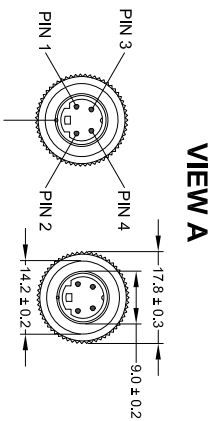
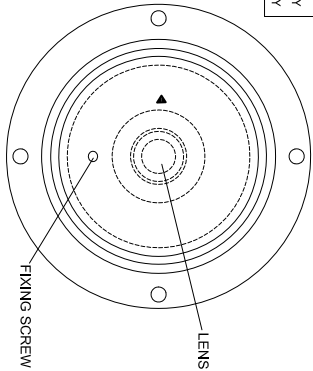
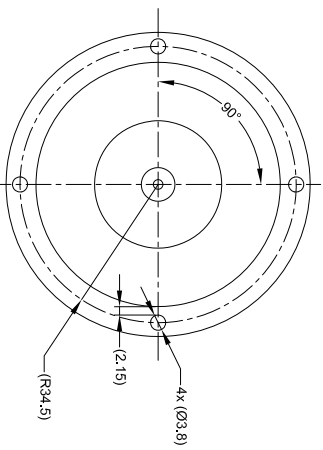
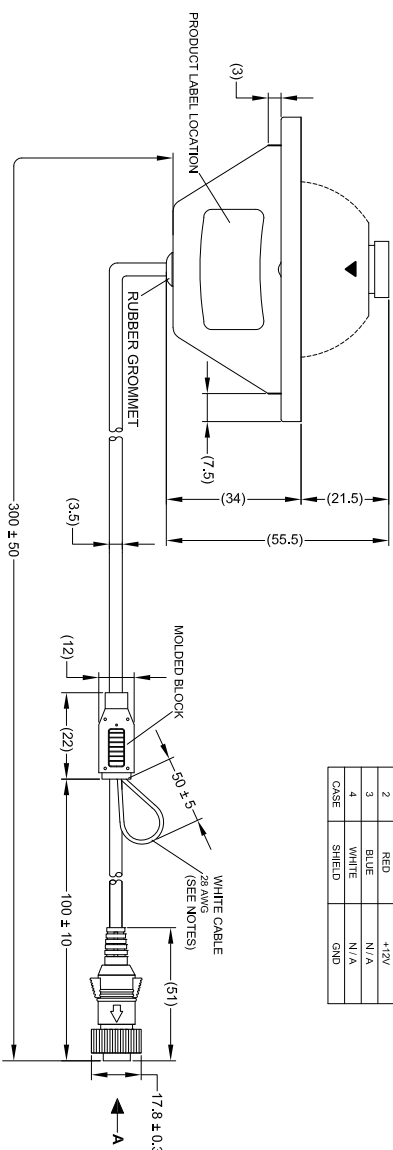
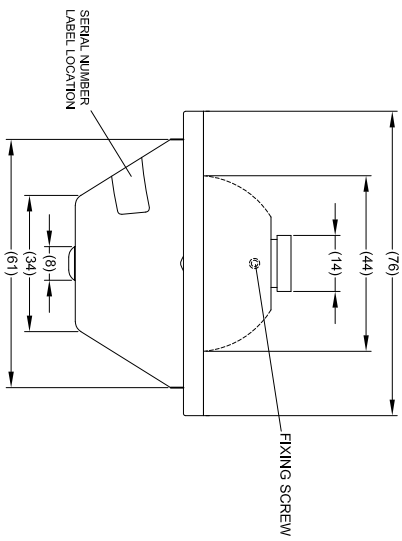


TABLE 1: MD-XX SERIES CAMERA ONLY OPTIONS

PART NO.	MODEL NO.	BRIEF DESCRIPTION
4913A	MD-50-C	CAMERA ELITE DIGITAL MINI DOME, 3.6MM LENS + BE-L100 CABLE CONNECTOR, PAL FORMAT - CAMERA ONLY
5173A	MD-51-C	CAMERA ELITE DIGITAL MINI DOME, 3.6MM LENS + BE-L100 CABLE CONNECTOR, NTSC FORMAT - CAMERA ONLY
5388	MD-80-C	CAMERA ELITE DIGITAL MINI DOME, 3.6MM LENS + BE-L100 CABLE CONNECTOR, AHD 720P 25FPS - CAMERA ONLY
5389	MD-61-C	CAMERA ELITE DIGITAL MINI DOME, 3.6MM LENS + BE-L100 CABLE CONNECTOR, AHD 720P 30FPS - CAMERA ONLY



PIN #	WIRE COLOUR	DESCRIPTION
1	YELLOW	VIDEO
2	RED	+12V
3	BLUE	N/A
4	WHITE	N/A
CASE	SHIELD	SHIELD



- NOTES:
1. CUT WHITE CABLE FOR MIRROR IMAGE AND INSULATE EXPOSED WIRES.
 2. REFER TO PRODUCT SPECIFICATIONS FOR TECHNICAL DETAILS.
 3. FOR PACKAGING AND LABELING DETAIL REFER TO LATEST REVISION OF THE MASTER BOM.

PROPRIETARY NOTICE
 THIS DESIGN AND TECHNICAL INFORMATION APPEARING ON THIS DRAWING IS THE PROPERTY OF BRIGADE ELECTRONICS, AND IS DISCLOSED IN CONFIDENCE. IT IS NOT TO BE COPIED, REPRODUCED, REVEALED TO OR EXPLOITED BY OTHERS, EITHER IN WHOLE OR IN PART WITHOUT THE EXPRESS WRITTEN CONSENT OF BRIGADE ELECTRONICS.

Revision Notes			
Rev.	Drawn	Checked	Approved
1	APA		



Assembly PI Approval		Approved by		Checked by		Drawn by	
C. ZHANG (06/11/17)		B. CHILDS		L. PILLAY		M. BUTLER	
Angle of Projection	Third Angle	Units	Scale	Released	Assembly Ref	Status	Part No
		mm	N/A	06/11/17		RELEASED	SEE TABLE 1
				MD-XX-C SERIES		BE-003746-00-17	